

LMV431/LMV431A/LMV431B

Low-Voltage (1.24V) Adjustable Precision Shunt Regulators

General Description

The LMV431, LMV431A and LMV431B are precision 1.24V shunt regulators capable of adjustment to 30V. Negative feedback from the cathode to the adjust pin controls the cathode voltage, much like a non-inverting op amp configuration (Refer to Symbol and Functional diagrams). A two resistor voltage divider terminated at the adjust pin controls the gain of a 1.24V band-gap reference. Shorting the cathode to the adjust pin (voltage follower) provides a cathode voltage of a 1.24V.

The LMV431, LMV431A and LMV431B have respective initial tolerances of 1.5%, 1% and 0.5%. The LMV431 and LMV431A are available in commercial and Industrial temperature ranges. The LMV431B is only available in commercial temperature range.

The LMV431, LMV431A and LMV431B functionally lends themselves to several applications that require zener diode type performance at low voltages. Applications include a 3V to 2.7V low drop-out regulator, an error amplifier in a 3V off-line switching regulator and even as a voltage detector. These parts are typically stable with capacitive loads greater than 10nF and less than 50pF.

The LMV431, LMV431A and LMV431B provide performance at a competitive price.

Features

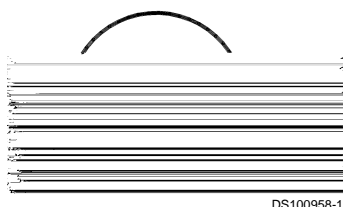
- Low Voltage Operation/Wide Adjust Range (1.24V/30V)
- 0.5% Initial Tolerance (LMV431B)
- Temperature Compensated for Industrial Temperature Range (39 PPM/°C for the LMV431A)
- Low Operation Current (55µA)
- Low Output Impedance (0.25Ω)
- Fast Turn-On Response
- Low Cost

Applications

- Shunt Regulator
- Series Regulator
- Current Source or Sink
- Voltage Monitor
- Error Amplifier
- 3V Off-Line Switching Regulator
- Low Dropout N-Channel Series Regulator

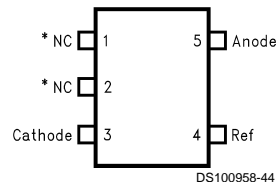
Connection Diagrams

TO92: Plastic Package



Top View

SOT23-5

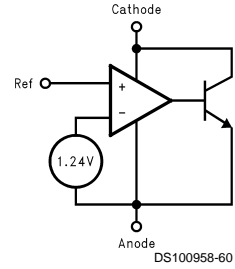
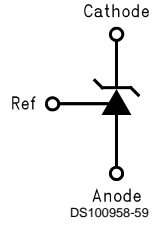


*Pin 1 is not internally connected.

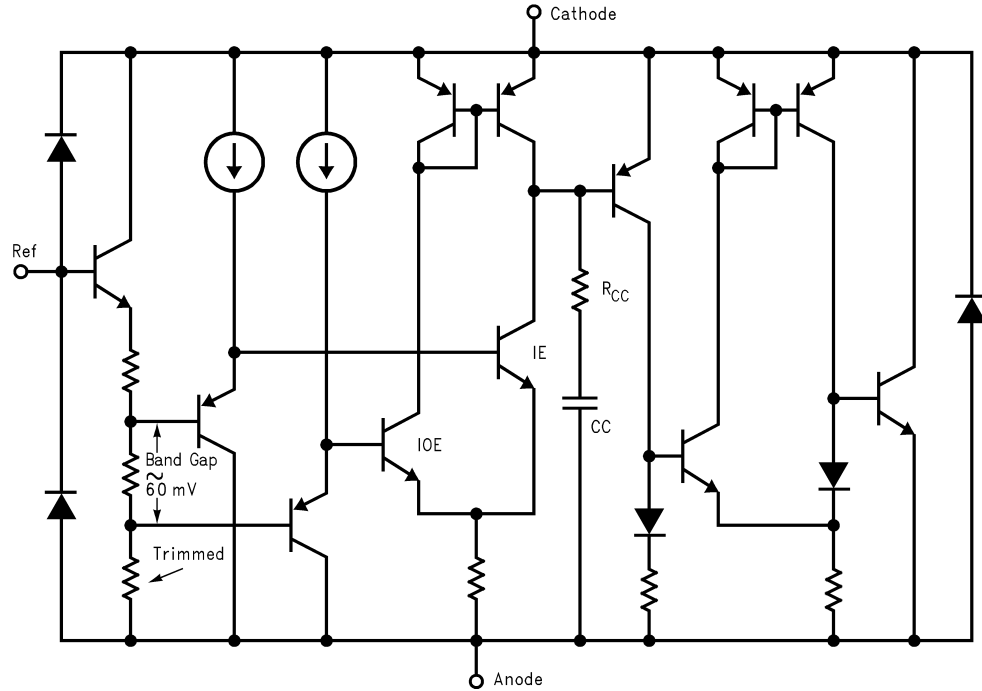
*Pin 2 is internally connected to Anode pin. Pin 2 should be either floating or connected to Anode pin.

Top View

Symbol and Functional Diagrams



Simplified Schematic



Ordering Information

Package	Temperature Range	Voltage Tolerance	Part Number	Package Marking	Drawing Number
TO92	Industrial Range -40°C to +85°C	1%	LMV431AIZ	LMV431AIZ	Z03A
		1.5%	LMV431IZ	LMV431IZ	
	Commercial Range 0°C to +70°C	0.5%	LMV431BCZ	LMV431BCZ	
		1%	LMV431ACZ	LMV431ACZ	
SOT23-5	Industrial Range -40°C to +85°C	1.5%	LMV431CZ	LMV431CZ	MF05A
		1%	LMV431AIM5	N08A	
		1%	LMV431AIM5X	N08A	
		1.5%	LMV431IM5	N08B	
	Commercial Range 0°C to +70°C	1.5%	LMV431IM5X	N08B	
		0.5%	LMV431BCM5	N09C	
		0.5%	LMV431BCM5X	N09C	
		1%	LMV431ACM5	N09A	
		1%	LMV431ACM5X	N09A	
		1.5%	LMV431CM5	N09B	
1.5%	LMV431CM5X	N09B			

DC/AC Test Circuits for Table and Curves

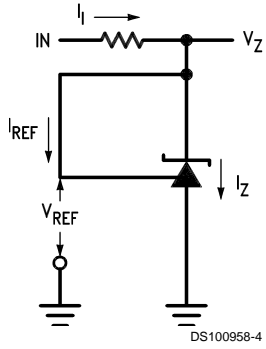
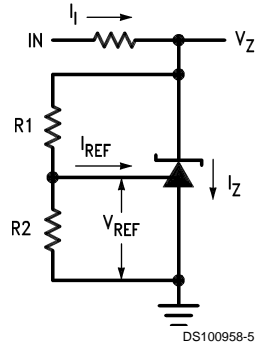


FIGURE 1. Test Circuit for $V_Z = V_{REF}$

DS100958-4



Note: $V_Z = V_{REF} (1 + R1/R2) + I_{REF} \cdot R1$

FIGURE 2. Test Circuit for $V_Z > V_{REF}$

DS100958-5

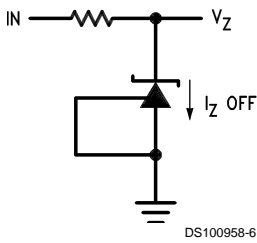


FIGURE 3. Test Circuit for Off-State Current

DS100958-6

Absolute Maximum Ratings (Note 1)

If Military/Aerospace specified devices are required, please contact the National Semiconductor Sales Office/ Distributors for availability and specifications.

Storage Temperature Range	-65°C to +150°C
Operating Temperature Range	
Industrial (LMV431AI, LMV431I)	-40°C to +85°C

LMV431I Electrical Characteristics

$T_A = 25^\circ\text{C}$ unless otherwise specified

Symbol	Parameter	Conditions	Min	Typ	Max	Units	
V_{REF}	Reference Voltage	$V_Z = V_{REF}, I_Z = 10\text{mA}$ (See Figure 1)	$T_A = 25^\circ\text{C}$	1.222	1.24	1.258	V
			$T_A = \text{Full Range}$	1.202		1.278	
V_{DEV}	Deviation of Reference Input Voltage Over Temperature (Note 4)	$V_Z = V_{REF}, I_Z = 10\text{mA},$ $T_A = \text{Full Range}$ (See Figure 1)		6	20	mV	
$\frac{\Delta V_{REF}}{\Delta V_Z}$	Ratio of the Change in Reference Voltage to the Change in Cathode Voltage	$I_Z = 10\text{mA}$ (see Figure 2) V_Z from V_{REF} to 6V $R_1 = 10\text{k}, R_2 = \infty$ and 2.6K		-1.5	-2.7	mV/V	
I_{REF}	Reference Input Current	$R_1 = 10\text{k}$					

LMV431AI Electrical Characteristics

$T_A = 25^\circ\text{C}$ unless otherwise specified

Symbol	Parameter	Conditions	Min	Typ	Max	Units	
V_{REF}	Reference Voltage	$V_Z = V_{REF}, I_Z = 10\text{mA}$ (See Figure 1)	$T_A = 25^\circ\text{C}$	1.228	1.24	1.252	V
			$T_A = \text{Full Range}$	1.215		1.265	
V_{DEV}	Deviation of Reference Input Voltage Over Temperature (Note 4)	$V_Z = V_{REF}, I_Z = 10\text{mA},$ $T_A = \text{Full Range}$ (See Figure 1)		6	20	mV	
$\frac{\Delta V_{REF}}{\Delta V_Z}$	Ratio of the Change in Reference Voltage to the Change in Cathode Voltage	$I_Z = 10\text{mA}$ (see Figure 2) V_Z from V_{REF} to 6V $R_1 = 10\text{k}, R_2 = \infty$ and 2.6K		-1.5	-2.7	mV/V	
I_{REF}	Reference Input Current	$R_1 = 10\text{k}\Omega, R_2 = \infty$ $I_1 = 10\text{mA}$ (see Figure 2)		0.15	0.5	μA	
∞I_{REF}	Deviation of Reference Input Current over Temperature	$R_1 = 10\text{k}\Omega, R_2 = \infty,$ $I_1 = 10\text{mA}, T_A = \text{Full Range}$ (see Figure 2)		0.1	0.4	μA	
$I_{Z(MIN)}$	Minimum Cathode Current for Regulation	$V_Z = V_{REF}$ (see Figure 1)		55	80	μA	
$I_{Z(OFF)}$	Off-State Current	$V_Z = 6\text{V}, V_{REF} = 0\text{V}$ (see Figure 3)		0.001	0.1	μA	
r_Z	Dynamic Output Impedance (Note 5)	$V_Z = V_{REF}, I_Z = 0.1\text{mA}$ to 15mA Frequency = 0Hz (see Figure 1)		0.25	0.4	Ω	

LMV431BC Electrical Characteristics

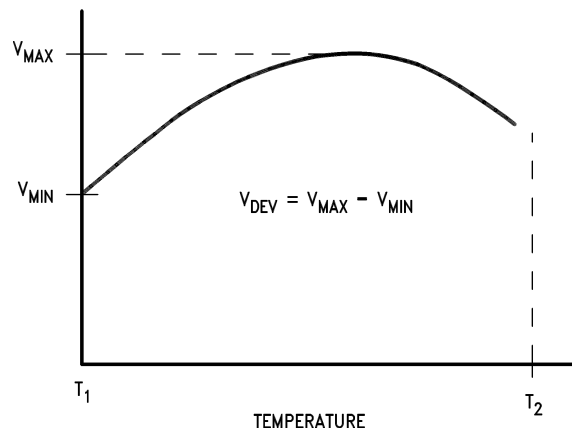
$T_A = 25^\circ\text{C}$ unless otherwise specified

Symbol	Parameter	Conditions	Min	Typ	Max	Units	
V_{REF}	Reference Voltage	$V_Z = V_{REF}, I_Z = 10\text{mA}$ (See Figure 1)	$T_A = 25^\circ\text{C}$	1.234	1.24	1.246	V
			$T_A = \text{Full Range}$	1.227		1.253	
V_{DEV}	Deviation of Reference Input Voltage Over Temperature (Note 4)	$V_Z = V_{REF}, I_Z = 10\text{mA},$ $T_A = \text{Full Range}$ (See Figure 1)		4	12	mV	
$\frac{\Delta V_{REF}}{\Delta V_Z}$	Ratio of the Change in Reference Voltage to the Change in Cathode Voltage	$I_Z = 10\text{mA}$ (see Figure 2) V_Z from V_{REF} to 6V $R_1 = 10\text{k}, R_2 = \infty$ and 2.6K		-1.5	-2.7	mV/V	
I_{REF}	Reference Input Current	$R_1 = 10\text{k}\Omega, R_2 = \infty$ $I_1 = 10\text{mA}$ (see Figure 2)		0.15	0.50	μA	
∞I_{REF}	Deviation of Reference Input Current over Temperature	$R_1 = 10\text{k}\Omega, R_2 = \infty,$ $I_1 = 10\text{mA}, T_A = \text{Full Range}$ (see Figure 2)		0.05	0.3	μA	
$I_{Z(MIN)}$	Minimum Cathode Current for Regulation	$V_Z = V_{REF}$ (see Figure 1)		55	80	μA	
$I_{Z(OFF)}$	Off-State Current	$V_Z = 6\text{V}, V_{REF} = 0\text{V}$ (see Figure 3)		0.001	0.1	μA	
r_Z	Dynamic Output Impedance (Note 5)	$V_Z = V_{REF}, I_Z = 0.1\text{mA}$ to 15mA Frequency = 0Hz (see Figure 1)		0.25	0.4	Ω	

Note 1: Absolute Maximum Ratings indicate limits beyond which damage to the device may occur. Electrical specifications do not apply when operating the device beyond its rated operating conditions.

Note 2:

LMV431BC Electrical Characteristics (Continued)



The average temperature coefficient of the reference input voltage, αV_{REF} , is defined as:

$$\alpha V_{REF} \frac{\text{ppm}}{^{\circ}\text{C}} = \frac{\pm \left[\frac{V_{MAX} - V_{MIN}}{V_{REF}(\text{at } 25^{\circ}\text{C})} \right] 10^6}{T_2 - T_1} = \frac{\pm \left[\frac{V_{DEV}}{V_{REF}(\text{at } 25^{\circ}\text{C})} \right] 10^6}{T_2 - T_1}$$

Where:

$T_2 - T_1$ = full temperature change.

αV_{REF} can be positive or negative depending on whether the slope is positive or negative.

Example: $V_{DEV} = 6.0\text{mV}$, $V_{REF} = 1240\text{mV}$, $T_2 - T_1 = 125^{\circ}\text{C}$.

$$\alpha V_{REF} = \frac{\left[\frac{6.0 \text{ mV}}{1240 \text{ mV}} \right] 10^6}{125^{\circ}\text{C}} = +39 \text{ ppm}/^{\circ}\text{C}$$

Note 5: The dynamic output impedance, r_z , is defined as:

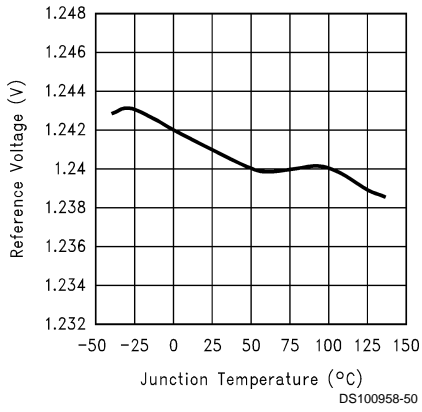
$$r_z = \frac{\Delta V_Z}{\Delta I_Z}$$

When the device is programmed with two external resistors, R_1 and R_2 , (see *Figure 2*), the dynamic output impedance of the overall circuit, r_z , is defined as:

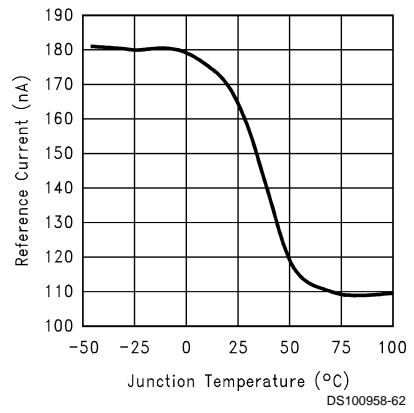
$$r_z = \frac{\Delta V_Z}{\Delta I_Z} \cong \left[r_z \left(1 + \frac{R_1}{R_2} \right) \right]$$

Typical Performance Characteristics

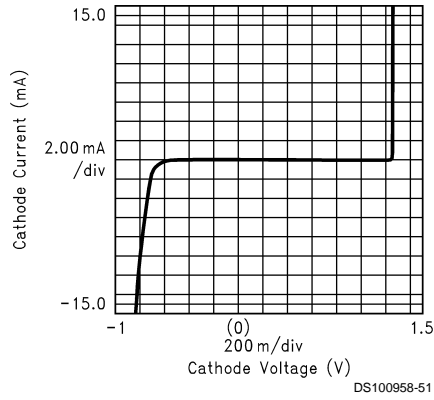
Reference Voltage vs. Junction Temperature



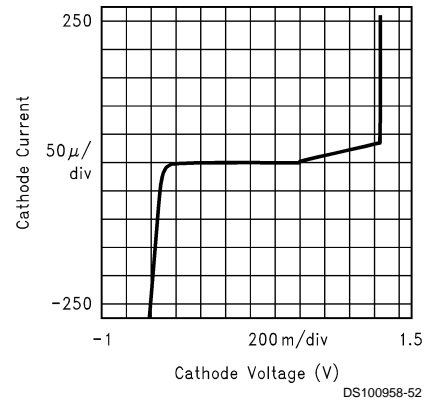
Reference Input Current vs. Junction Temperature



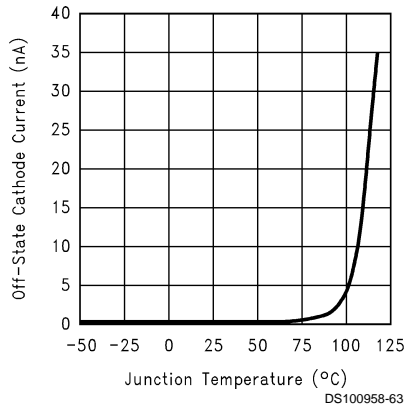
Cathode Current vs. Cathode Voltage 1



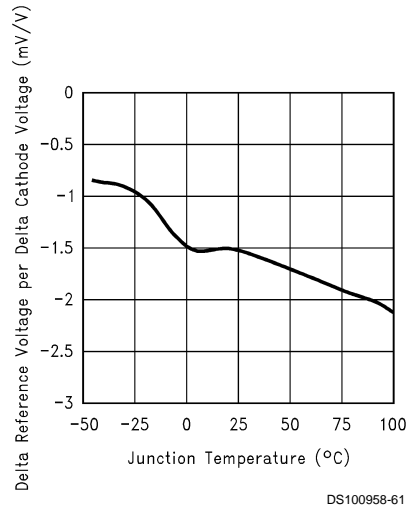
Cathode Current vs. Cathode Voltage 2



Off-State Cathode Current vs. Junction Temperature

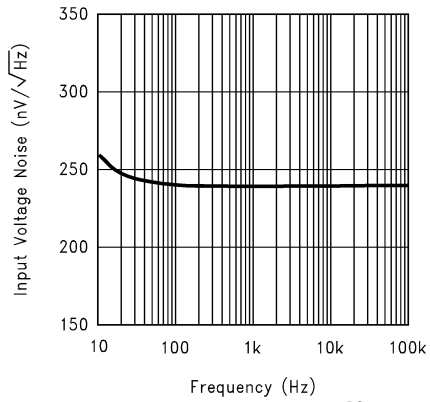


Delta Reference Voltage Per Delta Cathode Voltage vs. Junction Temperature

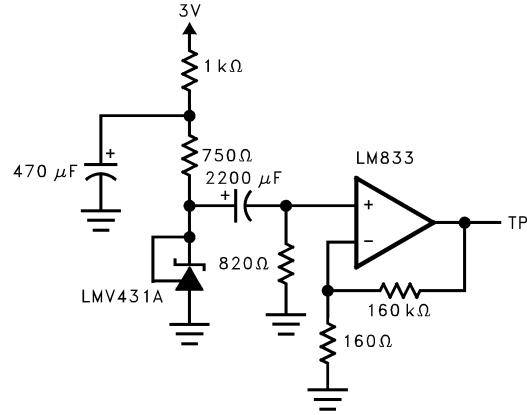


Typical Performance Characteristics (Continued)

Input Voltage Noise vs. Frequency



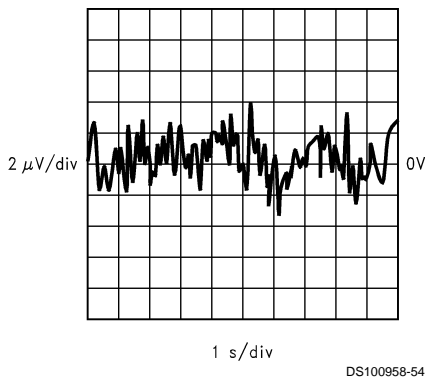
DS100958-53



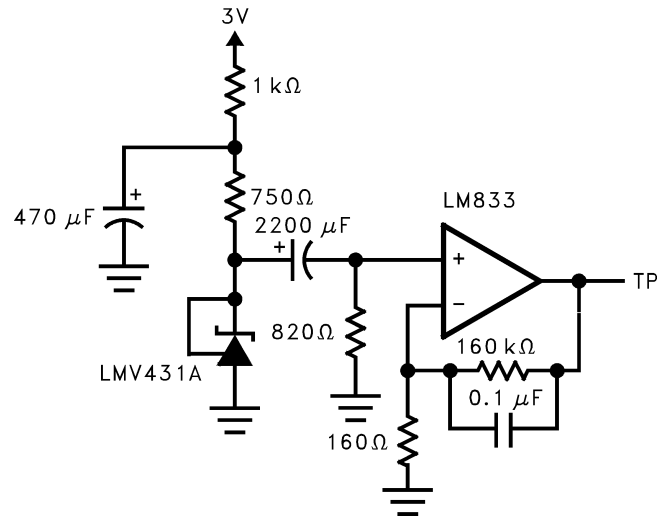
DS100958-45

Test Circuit for Input Voltage Noise vs. Frequency

Low Frequency Peak to Peak Noise

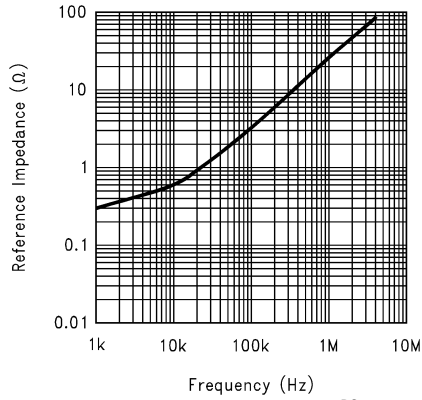


DS100958-54

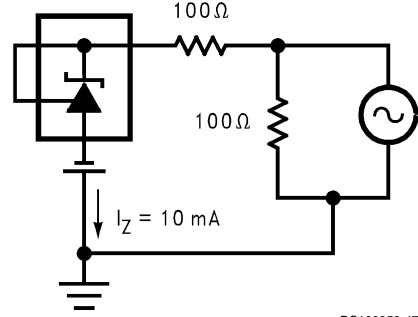


Typical Performance Characteristics (Continued)

Reference Impedance vs Frequency



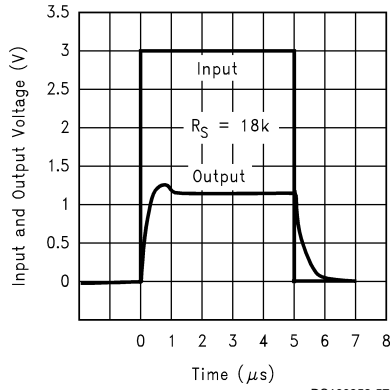
DS100958-56



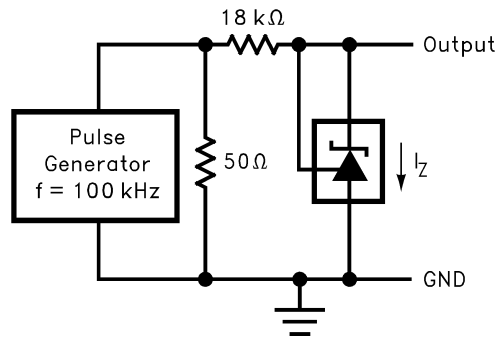
DS100958-47

Test Circuit For Reference Impedance vs Frequency

Pulse Response 1



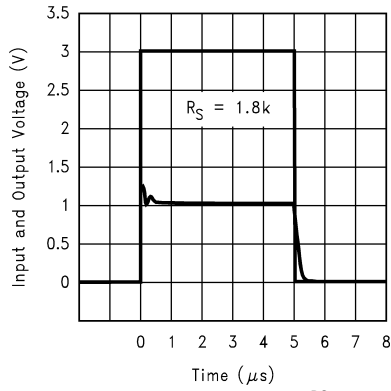
DS100958-57



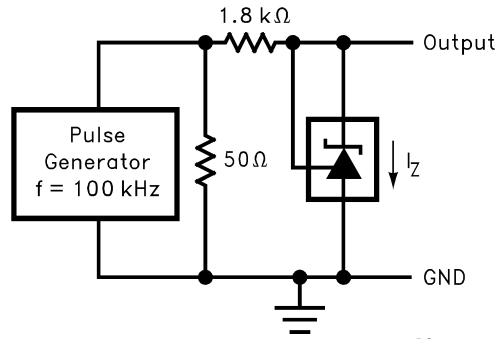
DS100958-48

Test Circuit for Pulse Response 1

Pulse Response 2

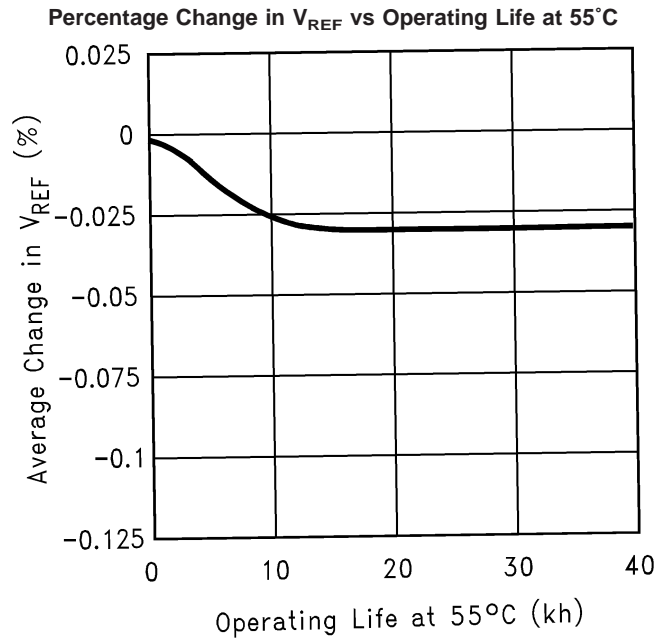


DS100958-58



DS100958-49

Test Circuit for Pulse Response 2

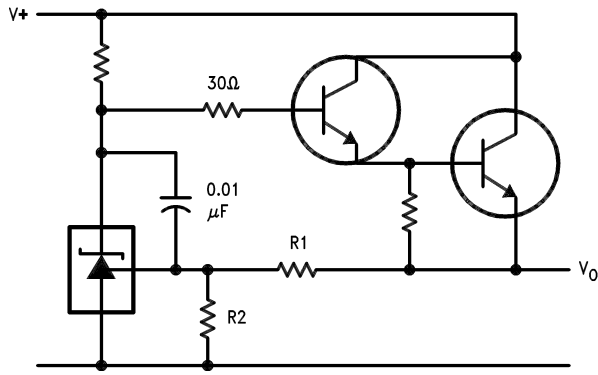
Typical Performance Characteristics (Continued)

DS100958-66

Extrapolated from life-test data taken at 125°C; the activation energy assumed is 0.7eV.

Typical Applications

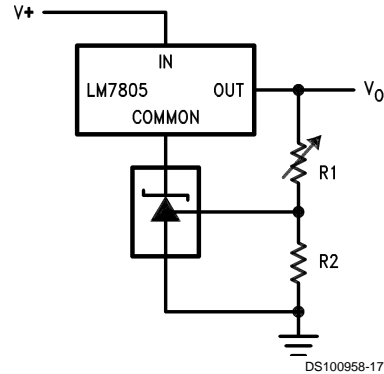
Series Regulator



DS100958-16

$$V_O \approx \left(1 + \frac{R_1}{R_2}\right) V_{REF}$$

Output Control of a Three Terminal Fixed Regulator

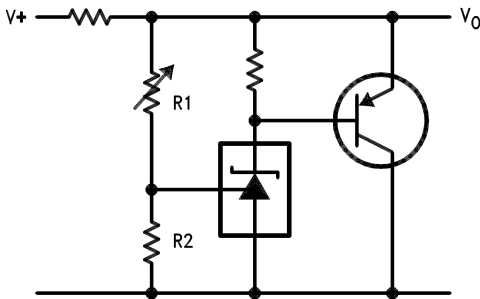


DS100958-17

$$V_O = \left(1 + \frac{R_1}{R_2}\right) V_{REF}$$

$$V_{O\ MIN} = V_{REF} + 5V$$

Higher Current Shunt Regulator



DS100958-18

$$V_O \approx \left(1 + \frac{R_1}{R_2}\right) V_{REF}$$

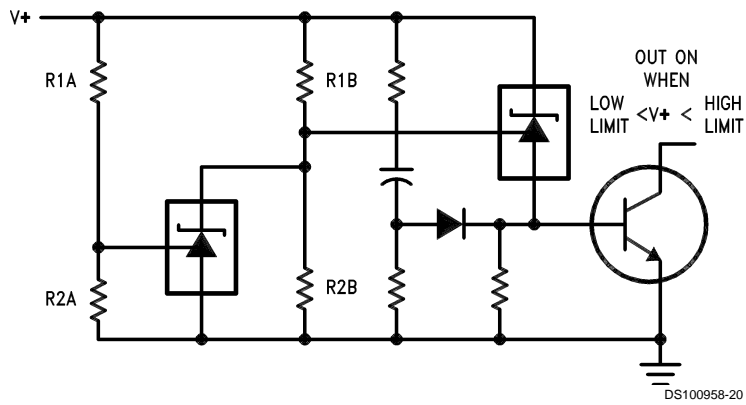
Crow Bar



DS100958-19

$$V_{LIMIT} \approx \left(1 + \frac{R_1}{R_2}\right) V_{REF}$$

Over Voltage/Under Voltage Protection Circuit



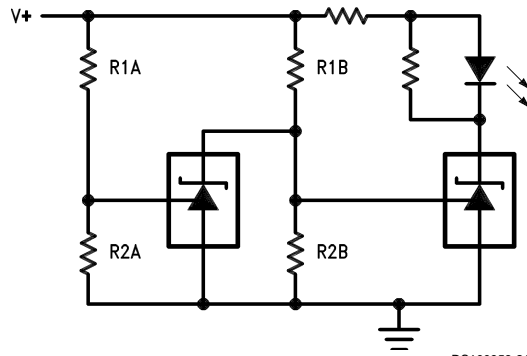
DS100958-20

$$\text{LOW LIMIT} \approx V_{REF} \left(1 + \frac{R_{1B}}{R_{2B}}\right) + V_{BE}$$

$$\text{HIGH LIMIT} \approx V_{REF} \left(1 + \frac{R_{1A}}{R_{2A}}\right)$$

Typical Applications (Continued)

Voltage Monitor



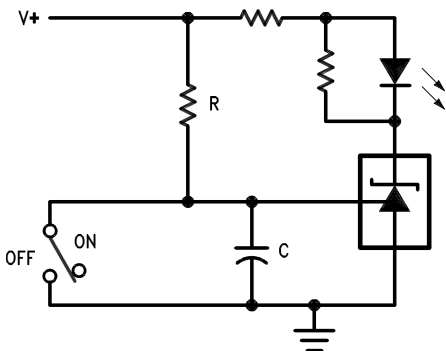
DS100958-21

LED ON WHEN
 LOW LIMIT < V+ < HIGH LIMIT

$$\text{LOW LIMIT} \approx V_{REF} \left(1 + \frac{R1B}{R2B} \right)$$

$$\text{HIGH LIMIT} \approx V_{REF} \left(1 + \frac{R1A}{R2A} \right)$$

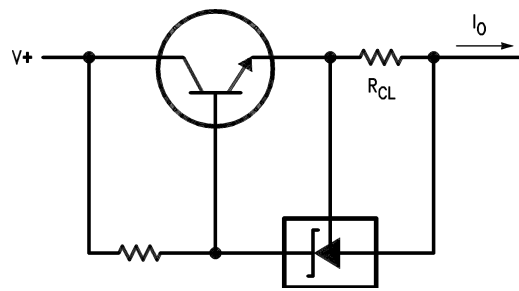
Delay Timer



DS100958-22

$$\text{DELAY} = R \cdot C \cdot \ln \frac{V+}{(V+) - V_{REF}}$$

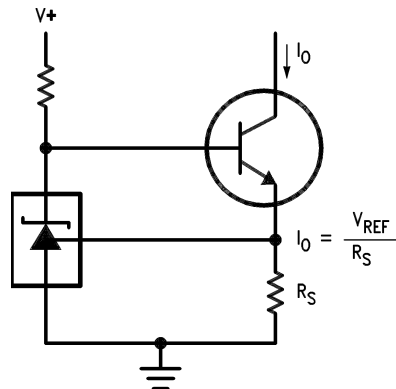
Current Limiter or Current Source



DS100958-23

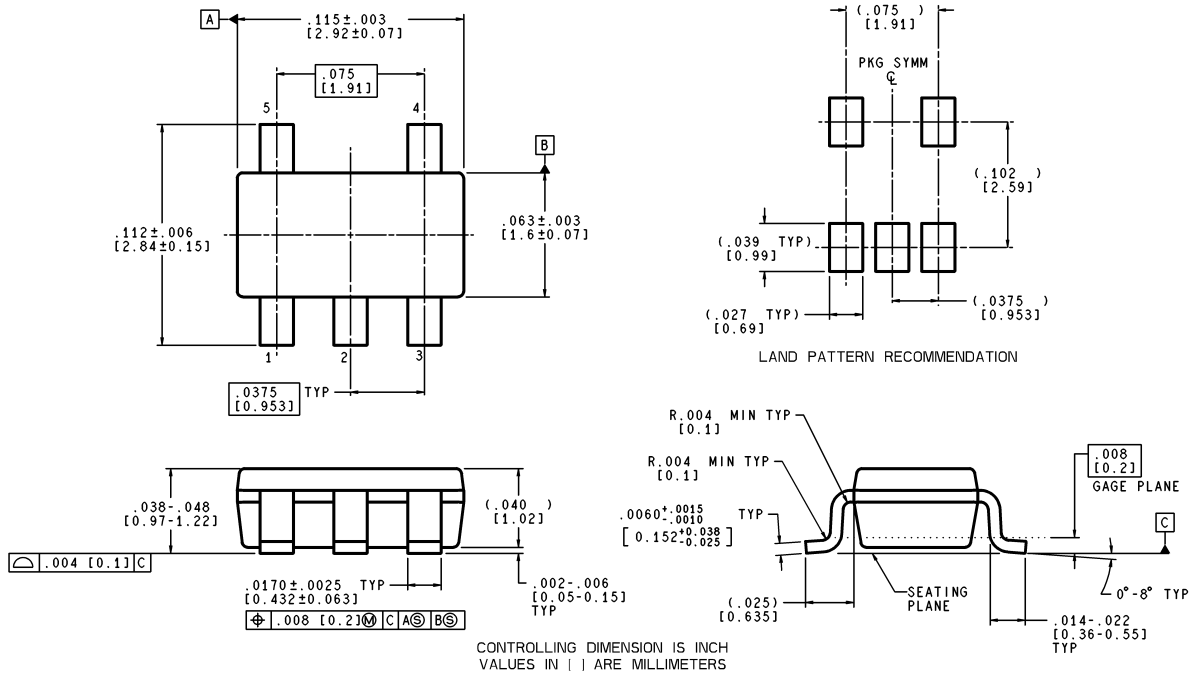
$$I_o = \frac{V_{REF}}{R_{CL}}$$

Constant Current Sink



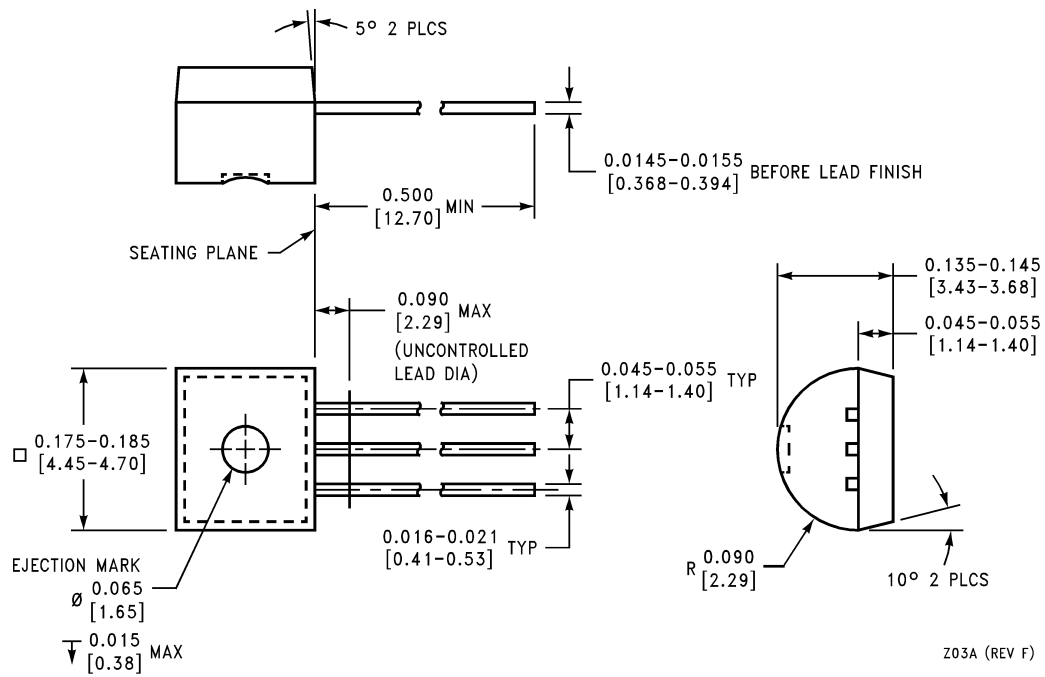
DS100958-24

Physical Dimensions inches (millimeters) unless otherwise noted



MF05A (Rev A)

**SOT23-5 Molded Small Outline Transistor Package (M5)
NS Package Number MF05A**



**TO-92 Plastic Package
NS Package Number Z03A**

Notes

LIFE SUPPORT POLICY

NATIONAL'S PRODUCTS ARE NOT AUTHORIZED FOR USE AS CRITICAL COMPONENTS IN LIFE SUPPORT DEVICES OR SYSTEMS WITHOUT THE EXPRESS WRITTEN APPROVAL OF THE PRESIDENT AND GENERAL COUNSEL OF NATIONAL SEMICONDUCTOR CORPORATION. As used herein:

1. Life support devices or systems are devices or systems which, (a) are intended for surgical implant into the body, or (b) support or sustain life, and whose failure to perform when properly used in accordance with instructions for use provided in the labeling, can be reasonably expected to result in a significant injury to the user.
2. A critical component is any component of a life support device or system whose failure to perform can be reasonably expected to cause the failure of the life support device or system, or to affect its safety or effectiveness.



National Semiconductor Corporation
Americas
Tel: 1-800-272-9959
Fax: 1-800-737-7018
Email: support@nsc.com
www.national.com

National Semiconductor Europe
Fax: +49 (0) 180-530 85 86
Email: europe.support@nsc.com
Deutsch Tel: +49 (0) 69 9508 6208
English Tel: +44 (0) 870 24 0 2171
Français Tel: +33 (0) 1 41 91 8790

National Semiconductor Asia Pacific Customer Response Group
Tel: 65-2544466
Fax: 65-2504466
Email: ap.support@nsc.com

National Semiconductor Japan Ltd.
Tel: 81-3-5639-7560
Fax: 81-3-5639-7507