

OPTOTRONIC[®]

OT 240/220-240/24 DIM P

Dimmable Constant Voltage LED Power supply for 24V LED - Modules

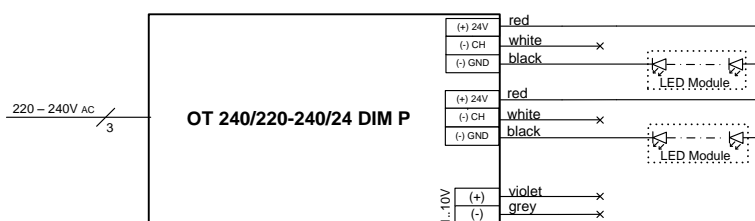
1. Technical Data

Nominal Voltage	220 – 240 Vac
Input Voltage	198 – 264 Vac
Line Current, nominal	1,1A @230 Vac
Mains Frequency	50 / 60 Hz
Power Factor	0.95 @ 230 Vac
Interface	1...10V insulated
IP Rating	IP 67
Max Output Power	240 Watt

Output Voltage	24 Vdc (-0,5 V/+0,9 V)
Efficiency	92% @ 230 Vac
Ambient Temperature	-25°C to +55°C
Max. Case Temperature at tc	+ 80°C
Max. Cable Length	10m
Max load per circuit breaker B10	5
Max load per circuit breaker B16	8
Max load per circuit breaker C10	7

2. Connection schemes

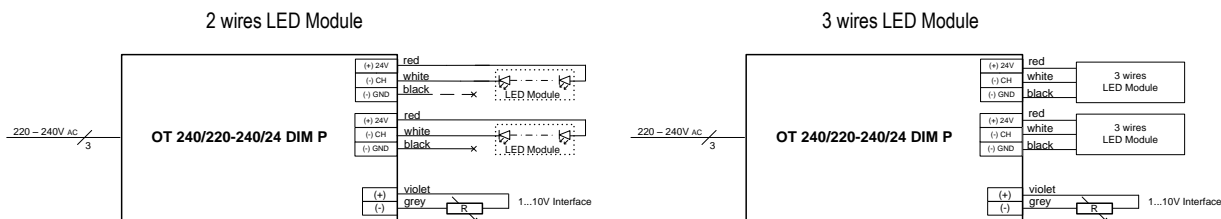
a. Non – Dim operation:



- Ensure proper insulation of not connected wire terminals.
- 2 Output channels for optional splitting of the load (1 channel use also possible)
- Ensure that the complete Load is not connected to one channel. Maximum output current is limited by the cross section of the cable (7.5A per channel – 180 Watt). It is possible to join the two output cables together, in parallel, to drive one module at max power.

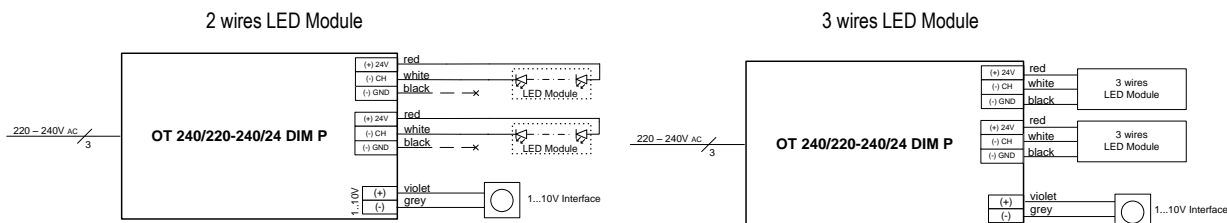
b. Dim operation

i. Control via Potentiometer:

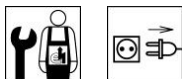


- Ensure proper insulation of not connected wire terminals.
- The maximum input capacitance of all connected LED modules (dimnable) should be less the 400nF.
- Required type of Potentiometer for use = **47kOhm**.
- 2 Output channels for optional splitting of the load (1 channel use also possible)
- Ensure that the complete Load is not connected to one channel. Maximum output current is limited by the cross section of the cable (7.5A per channel – 180 Watt). It is possible to join the two output cables together, in parallel, to drive one module at max power.

ii. Control via 1...10V Dimmer:



- Ensure proper insulation of not connected terminal wires.
- The maximum input capacitance of all connected LED modules (dimnable) should be less the 400nF.
- 2 Output channels for optional splitting of the load (1 channel use also possible)
- Ensure that the complete Load is not connected to one channel. Maximum output current is limited by the cross section of the cable (7.5A per channel – 180 Watt). It is possible to join the two output cables together, in parallel, to drive one module at max power.



OSRAM GmbH
www.osram.com

Steinerne Furt 62, 86167 Augsburg, Germany



2013-03-13

AA328440055

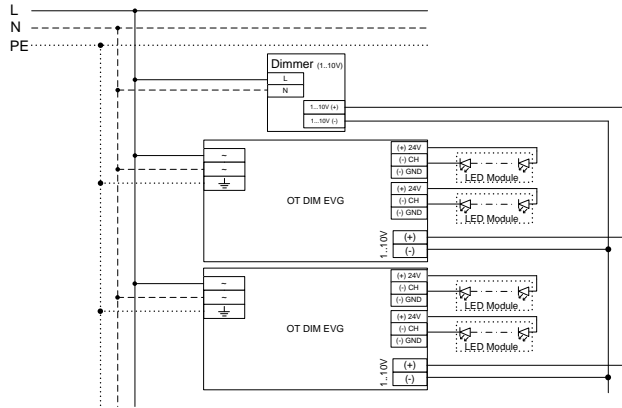
No. 1, North Industrial Road
 528000 Foshan Guangdong, P.R. China

OPTOTRONIC®

OT 240/220-240/24 DIM P

Dimmable Constant Voltage LED Power supply for 24V LED - Modules

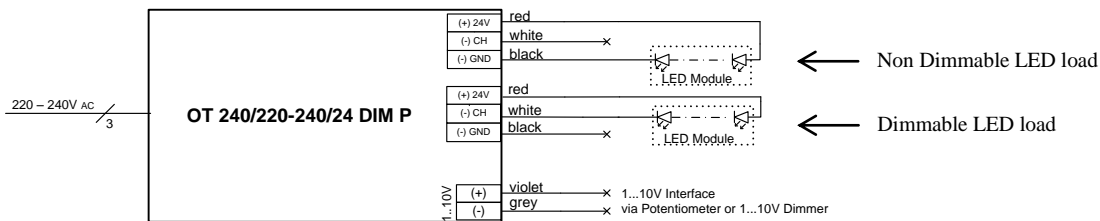
iii. Single control of more power supplies



- a) Control of more OT 240/220-240/24 DIM P via one external Dimmer/Potentiometer. Thanks to the fully isolated 1...10V interface, two different kind of dimming devices are possible

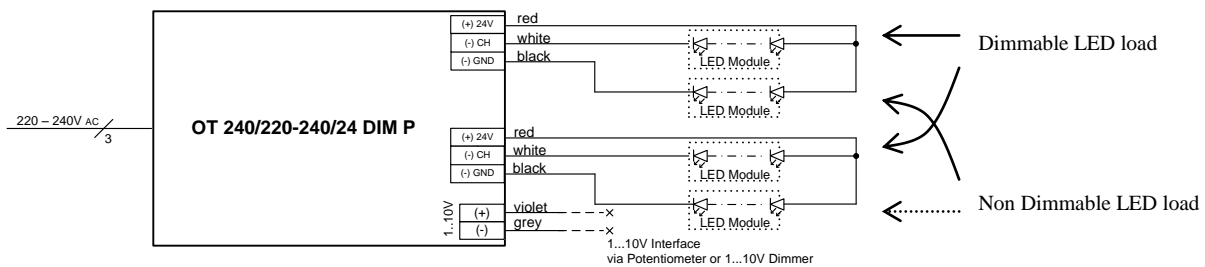
- 1) Potentiometer, the value will be $47k \text{ Ohm} / n$ where n is the number of Power supplies to be controlled
- 2) Active Dimmer - Dimmer is connected to mains

iv. Combination “dimmable” and “non dimmable” LED Modules - 1

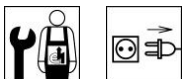


- a) Ensure proper insulation of not connected terminal wires.
- b) The maximum input capacitance of all connected LED modules (dimmable) should be less the 400nF.
- c) 2 Output channels for optional splitting of the load (1 channel use also possible)
- d) Ensure that the whole Load is not connected to one channel. Maximum output current is limited by the cross section of the cable (7.5A per channel – 180 Watt). It is possible to join the two output cables together, in parallel, to drive one module at max power.

v. Combination of “dimmable” and “non dimmable” LED Modules - 2



- a) The maximum input capacitance of all connected LED modules (dimmable) should be less the 400nF.
- b) 2 Output channels for optional splitting of the load (1 channel use also possible)
- c) Ensure that the complete Load is not connected to one channel. Maximum output current is limited by the cross section of the cable (7.5A per channel – 180 Watt). It is possible to join the two output cables together, in parallel, to drive one module at max power.



2013-03-13

AA328440055

OSRAM GmbH

www.osram.com

Steinerne Furt 62, 86167 Augsburg, Germany

No. 1, North Industrial Road
528000 Foshan Guangdong, P.R. China

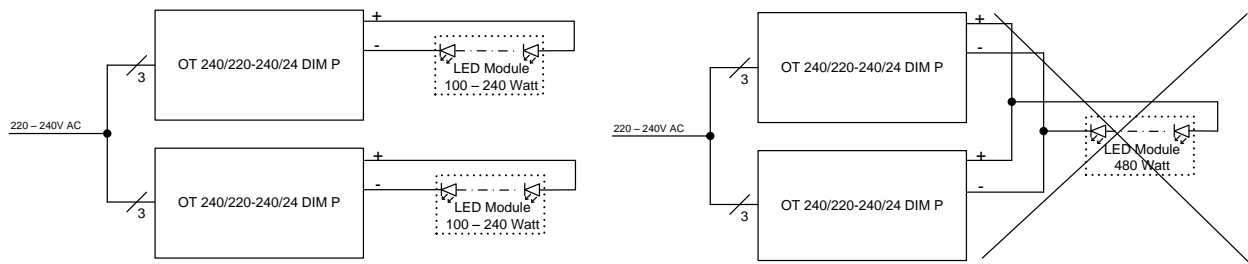


OPTOTRONIC®

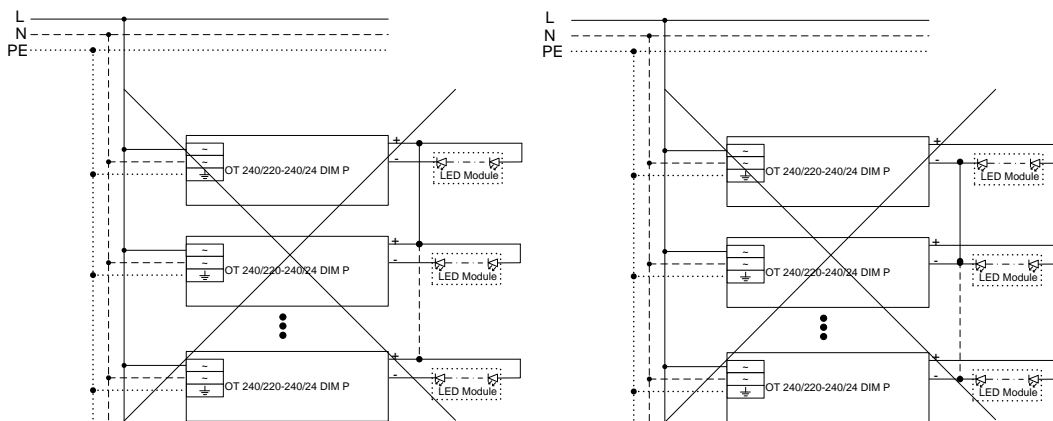
OT 240/220-240/24 DIM P

Dimmable Constant Voltage LED Power supply for 24V LED - Modules

3. Safety



Power supplies can be connected in parallel on the primary side, but not on the secondary side



- a) The installation of two or more OPTOTRONIC® OT 240/220-240/24 DIM P Power supplies with common “-” or “+” wiring is forbidden.

Wiring and Connection

- Ensure that the LED module load is within the range of rated voltage, current and power (see Technical data)
- Maximum output cable length is limited by EMI and cross diameter
- Use output cable sections adequate to the load demand
- The luminaire manufacturer is responsible for providing the required clearances and creepage distances and also for protection against electrical shock, especially for the line and load wires
- Please avoid direct exposure of sunlight and in case of exposure to UV rays, protect the cables with suitable silicone sheath.
- Not used output cables have to be insulated separately

Earth Connection

- Protective earth connection of OT 240/24 DIM P is mandatory for safety and EMI reasons
- The ground connection has to be done via input cable

Mounting and Environmental protection

- The control gear is a built -in type for luminaire integration
- Maximum permissible ambient temperature must not be exceeded. Make sure there is adequate space to avoid a build-up of heat. In critical installations the temperature at t_c has to be controlled

General Note

- Power supplies must be installed by a qualified electrician
- Disconnected from mains supplies before wiring work
- For further information see also “OPTOTRONIC – Technical guide” at www.osram.com



2013-03-13

AA328440055

OSRAM GmbH
www.osram.com

Steinerne Furt 62, 86167 Augsburg, Germany

No. 1, North Industrial Road
528000 Foshan Guangdong, P.R. China

